

\$645

Model LC712-50K
Shown smaller than
actual size

MADE IN

USA

NIST

Interchangeable with
Model TH-LINK

SPEC SHEET
LC702/712

HIGH CAPACITY TENSION LINK LOAD CELLS

LC702/LC712 Series Calibrated in Tension

0-5,000 to 0-1,000,000 lb

0-22 kN to 0-4.4 MN

1 Newton = 0.2248 lb

1 daNewton = 10 Newtons

1 lb = 454 g

1 t = 1000 kg = 2204 lb

☑ All Stainless Steel
Construction

☑ Accuracy 0.15%

☑ Heavy Duty Construction for
High Capacity Loads

The OMEGADYNE™ LC702 Series Tension Links have a 6 ft (2m) cable, the LC712 Series have an integral connector. Both series are all stainless steel high capacity in-line tension load cells. For applications including cables on cranes, support rods in architectural designs, engine test beds, and industrial weighing applications.

SPECIFICATIONS:

Output: 2 mV/V ± 0.25 % FSO

Excitation: 10 V ac/dc (15V Max)

Accuracy Class: ±0.15% FSO

Linearity: ± 0.10% FSO

Hysteresis: ± 0.10% FSO

Repeatability: ±0.05% FSO

Zero Balance: ± 1.0% FSO

Operating Temp. Range:

-34 to 121°C (-30 to 250°F)

For Sales and Service
In U.S.A. and Canada

1-800-872-3963SM
1-800-USA-DYNE

International Customers Dial
(614) 965-9340
24-Hour FAX (614) 965-9438

OMEGADYNESM FAX

OMEGADYNE's 24-Hour
On-Line Publishing Service

1-800-344-3963SM
1-800-DIG-DYNE

Document # 3620

OMEGADYNE, Inc.

149 Stelzer Court, Sunbury, OH 43074

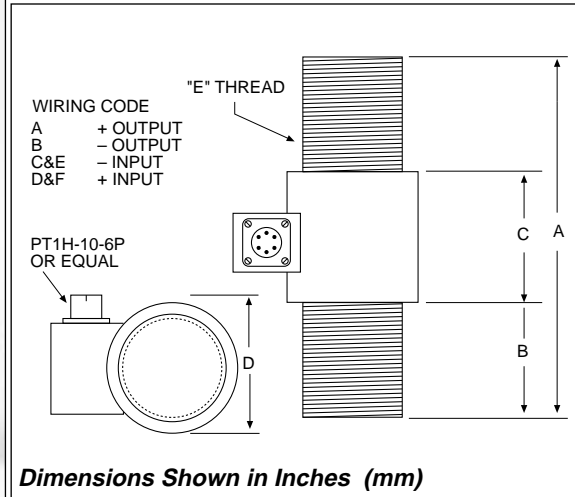
<http://www.omegadyne.com>

e-mail: info@omegadyne.com



Formerly
T-HYDRONICS, INC.

© COPYRIGHT 1996 OMEGADYNE, INC. ALL RIGHTS RESERVED.



Capacity (lb)	A	B	C	D	E
5k - 10k	5.50 (140)	1.25 (32)	3.0 (76)	3.0 (76)	1-14 NS
20k - 50k	6.50 (165)	2.0 (51)	2.5 (64)	3.0 (76)	1½-12 UNF
75k - 100k	72.91 (200)	2.53 (64)	2.84 (72)	3.0 (76)	2½-12 UN
150k - 200k	10.25 (260)	3.25 (83)	3.75 (95)	4.0 (101)	3-8 UN
250k - 300k	12.75 (323)	4.5 (114)	3.75 (95)	5.56 (141)	4-8 UN
400k - 600k	15.0 (381)	5.63 (142)	3.75 (95)	6.63 (168)	5-8 UN
750k - 1,000k	17.5 (444)	6.63 (168)	4.25 (108)	8.63 (219)	6-8 UN

Compensated Temp. Range:
16 to 71°C (60 to 160°F)

Thermal Effects: Zero: ±0.0025%
FSO/°F, Span: ±0.004% Rdg/°F

Safe Overload: 150% of Capacity

Ultimate Overload: 300% of Capacity

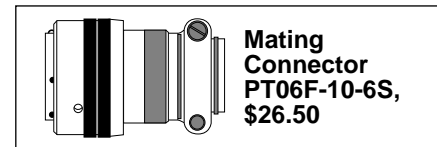
Bridge Resistance: 350 ohm

Construction: Stainless Steel

Electrical: LC702: 6 ft (1.8m) PVC
cable. LC712: DT02H-10-6P (or Equal)

Mating connector: (not included)
PT06F-10-6S

**Custom Units Available with Built-in
Amplifier.**



Most Popular Models Highlighted

Prices Shown in U.S. Dollars

To Order: (Specify Model Number)				
Models with 6ft (1.8m) PVC Cable or with Integral Connector				
Capacity (lb)	Cable Style	Conn. Style	Price	Compatible Meters
0-5,000	LC702-5K	LC712-5K	\$645	INFW, INFS, INFCS
0-10,000	LC702-10K	LC712-10K	645	INFW, INFS, INFCS
0-20,000	LC702-20K	LC712-20K	645	INFW, INFS, INFCS*
0-30,000	LC702-30K	LC712-30K	645	INFW, INFS, INFCS*
0-50,000	LC702-50K	LC712-50K	645	INFW, INFS, INFCS*
0-100,000	LC702-100K	LC712-100K	995	INFW, INFS, INFCS*
0-150,000	LC702-150K	LC712-150K	995	INFW, INFS, INFCS*
0-200,000	LC702-200K	LC712-200K	1200	INFW, INFS, INFCS*
0-300,000	LC702-300K	LC712-300K	1650	INFW, INFS, INFCS*
0-500,000	LC702-500K	LC712-500	2450	INFW, INFS, INFCS*
0-1,000,000	LC702-1M	LC712-1M	2900	INFW, INFS, INFCS*

*4-Digit Meter, Counts by 10.

Interchangeable with Model TH-LINK.

Metric Ranges Available-Consult Engineering.

To order additional cable length add length in feet to the end of the model number, \$2/ft over 6ft.

Ordering Examples: 1.) LC702-5K-25FT is a 5,000 lb capacity tension link with 25 ft PVC cable, \$645+ \$38 = **\$683.** 2.) **LC712-100K** is a 100,000 lb capacity tension link with integral twist lock connector, **\$995.** Mating connector **PT06F-10-6S** (not included), **\$26.50.**

3.) **LC702-200K** is a 200,000 lb capacity tension link with the standard 6 ft PVC cable, **\$1200.**

Printed On Recycled Paper

